

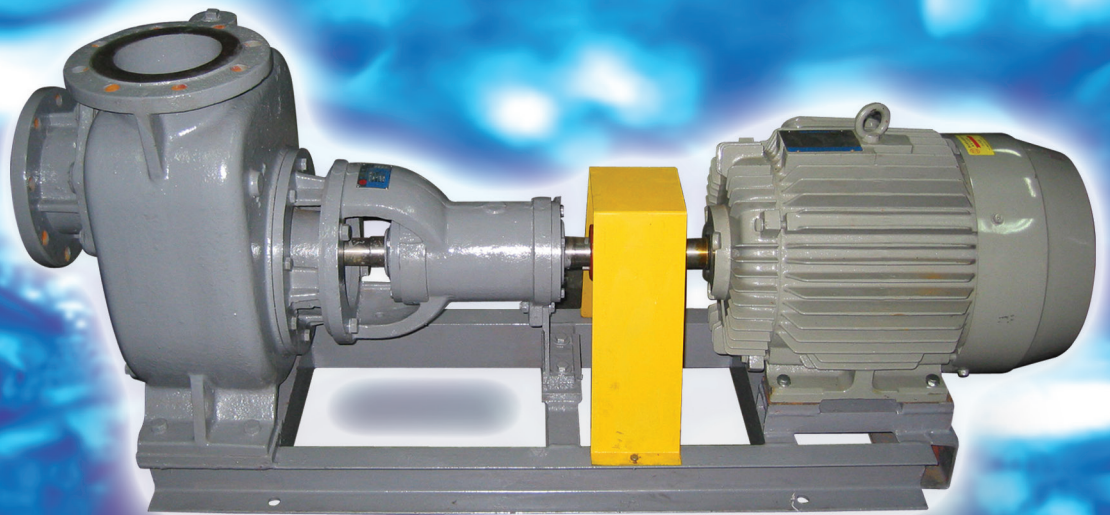


CHUNG CHUAN PUMP

CHUNG CHUAN PUMP

ISO 9001:2000 certificate

KMS Long Coupled Self-Priming Centrifugal Pump



Trustworthy • Professional • Creative

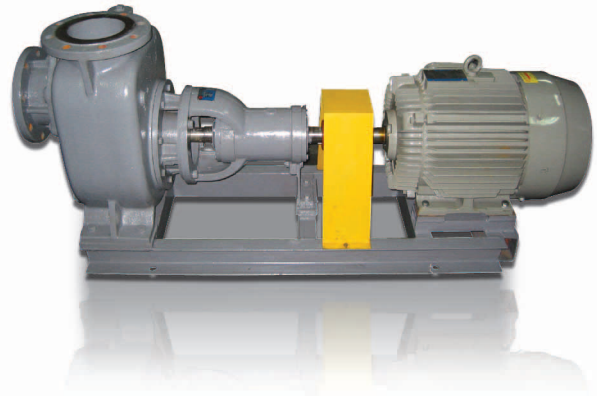


KMS Long Coupled Self-Priming Centrifugal Pump

Model: KMS Max. Head: 40M Max. Capacity: 11 m³/min Discharge: 1 1/2"-8" Motor Power: 1 -50 HP

Application

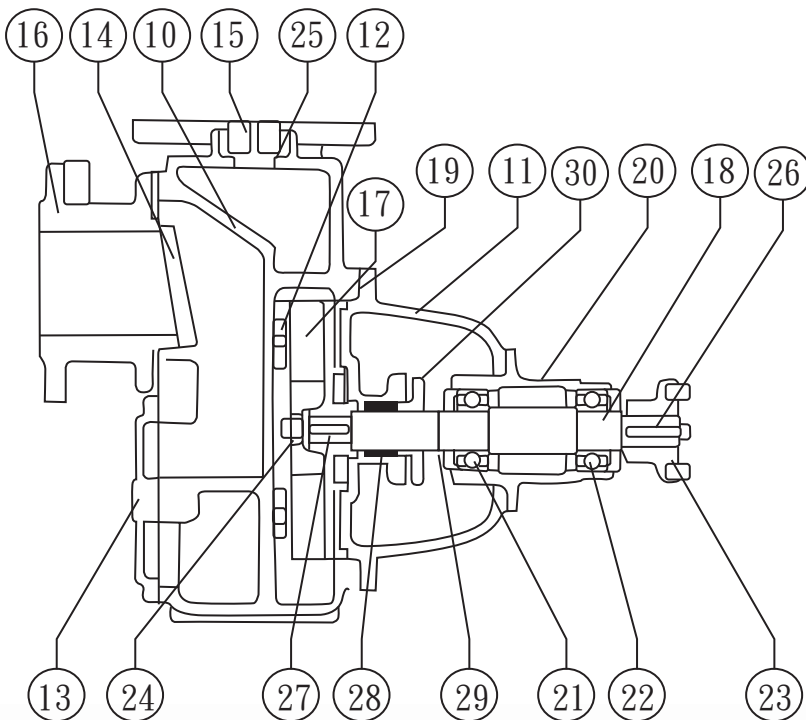
1. For chemical industry and delivery of liquid fuel.
2. For water drainage of vessels and carbon mine.
3. For water supply of general factory, sewage drainage, and field irrigation.
4. For delivery of brewery products such as wine and soy sauce.
5. For water supply of tanktruck, water sprinkler truck, and water truck.



Features

1. The special body structure has led to high self-priming capability and short pumping time.
2. The semi-open impeller design is suitable for the delivery of liquid containing muddy water, sewage, or solids.
3. There is no need for additional bottom valve. The water only needs to be added upon first operation, so there will not be any trouble of subsequent water filling.
4. The mechanical seal made of tungsten steel is wear resistant so the mandrel will not be damaged. There is no need for any cotton yarn, and the service life of water pump can be prolonged.

Construction

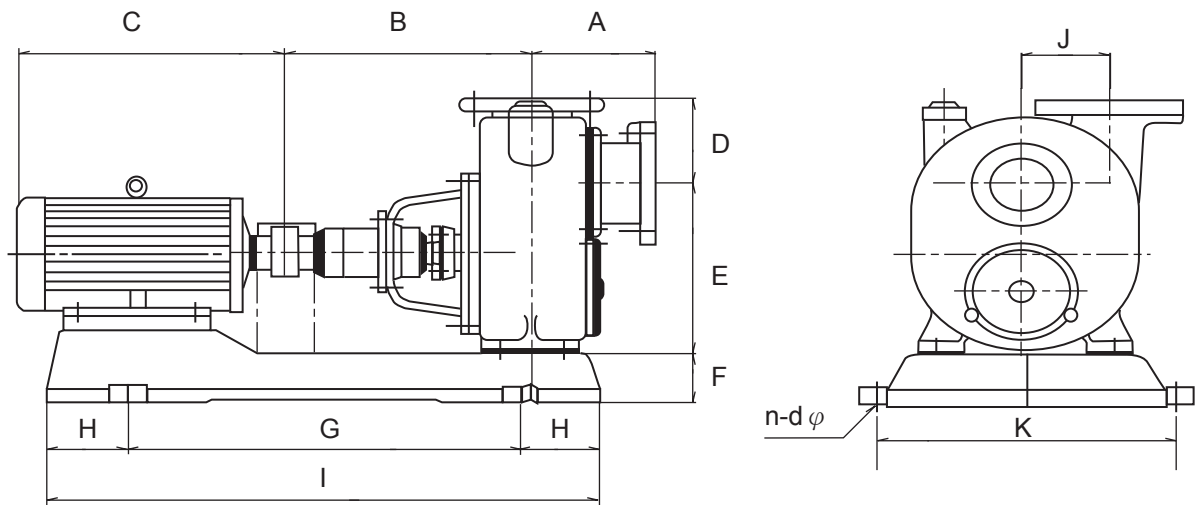


Parts list

Number	Part Name
10	Pump casing
11	Middle bracket
12	Friction board
13	Decontamination hole cover
14	Water blocking block
15	Water injection plug
16	Water inlet stand
17	Impeller
18	Shaft
19	Sheet packing
20	Bearing house
21	Bearing
22	Bearing
23	Coupler
24	Impeller screw nut
25	O-ring
26	Coupler key
27	Impeller key
28	Mechanical seal
29	Flinger
30	Gland



▼ KMS Dimension Diagram



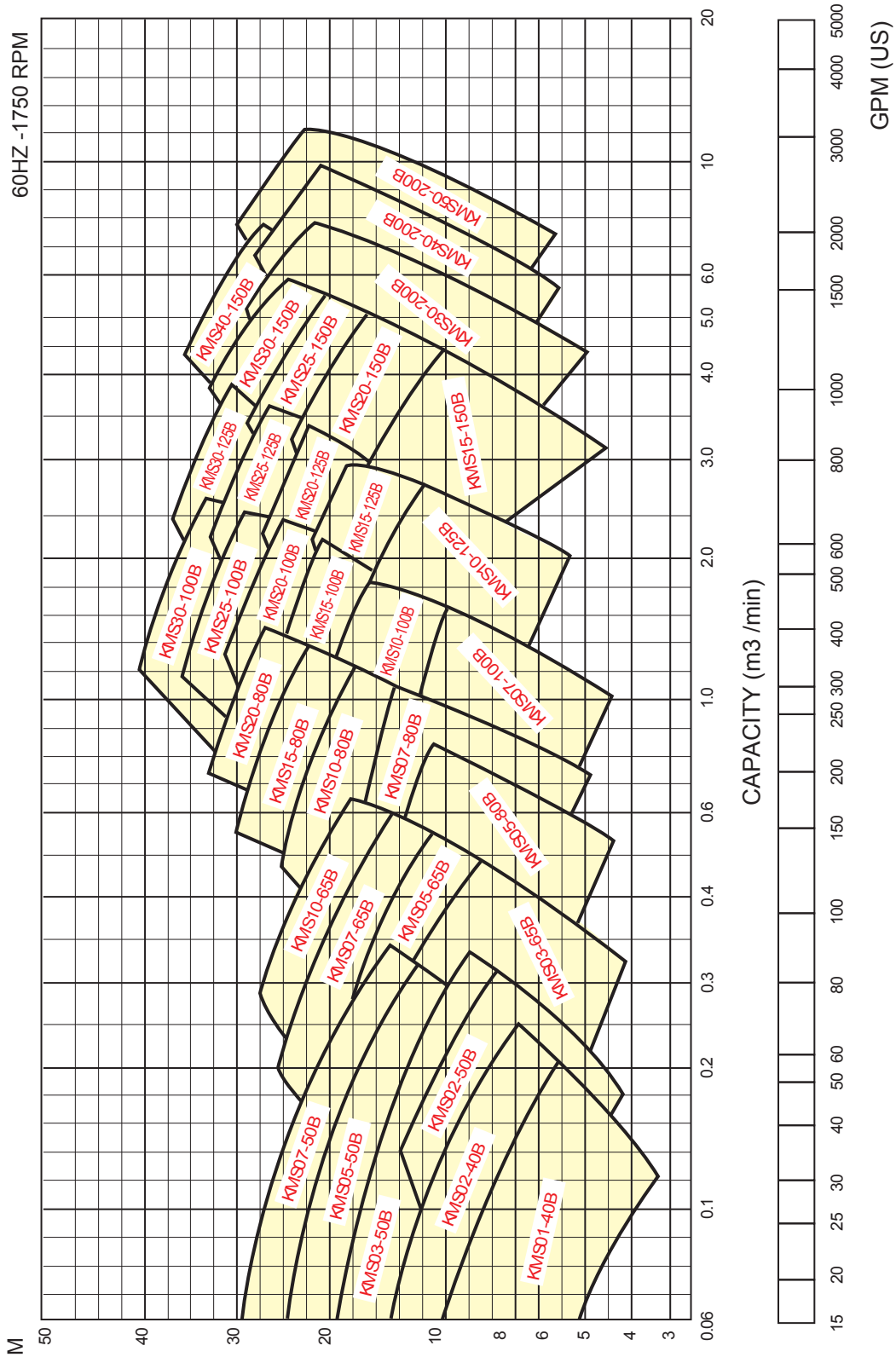
▼ KMS Dimension Table

TYPE (TYPE)	Discharge (in)	Output (HP)	Pole (P)	A	B	C	D	E	F	G	H	I	J	K	n-Dφ
KMS01-40B	1-1/2"	1	4	150	340	283	105	240	50	400	110	620	82	295	4-19
KMS02-40B	1-1/2"	2	4	150	340	333	105	240	50	460	120	700	82	295	4-19
KMS02-50B	2"	2	4	155	345	333	107	245	50	460	120	700	85	295	4-19
KMS03-50B	2"	3	4	155	345	375	107	245	60	520	120	760	85	295	4-19
KMS05-50B	2"	5	4	155	345	392	107	245	60	560	120	800	85	295	4-19
KMS07-50B	2"	7-1/2	4	155	345	454	107	245	70	580	120	820	85	295	4-19
KMS03-65B	2-1/2"	3	4	165	355	375	127	265	60	520	120	760	105	295	4-19
KMS05-65B	2-1/2"	5	4	165	355	392	127	265	85	540	120	780	105	325	4-19
KMS07-65B	2-1/2"	7-1/2	4	165	355	454	127	265	70	600	120	840	105	325	4-19
KMS10-65B	2-1/2"	10	4	165	355	492	127	265	85	620	120	860	105	345	4-19
KMS05-80B	3"	5	4	175	395	392	140	285	85	580	120	820	108	325	8-19
KMS07-80B	3"	7-1/2	4	175	395	454	140	285	80	640	120	880	108	325	8-19
KMS10-80B	3"	10	4	175	395	492	140	285	80	670	120	910	108	450	8-19
KMS15-80B	3"	15	4	175	395	608	140	285	100	780	120	1020	108	450	8-19
KMS20-80B	3"	20	4	175	395	652	140	285	100	800	140	1080	108	450	8-19
KMS07-100B	4"	7-1/2	4	205	558	454	195	330	80	810	120	1050	126	345	8-19
KMS10-100B	4"	10	4	205	558	492	195	330	70	860	120	1100	126	450	8-19
KMS15-100B	4"	15	4	205	558	608	195	330	90	960	120	1200	126	450	8-19
KMS20-100B	4"	20	4	205	558	652	195	330	100	970	140	1250	126	450	8-19
KMS25-100B	4"	25	4	205	558	672	195	330	90	970	140	1250	126	450	8-19
KMS30-100B	4"	30	4	205	558	672	195	330	90	970	140	1250	126	450	8-19
KMS10-125B	5"	10	4	220	620	492	210	380	70	870	140	1150	140	450	8-21
KMS15-125B	5"	15	4	220	620	608	210	380	90	1020	140	1300	140	450	8-21
KMS20-125B	5"	20	4	220	620	652	210	380	100	1020	140	1300	140	480	8-21
KMS25-125B	5"	25	4	220	620	672	210	380	90	1070	140	1350	140	450	8-21
KMS30-125B	5"	30	4	220	620	672	210	380	100	1070	140	1350	140	500	8-21
KMS15-150B	6"	15	4	250	680	608	233	398	90	1100	150	1400	150	480	8-21
KMS20-150B	6"	20	4	250	680	652	233	398	100	1100	150	1400	150	480	8-21
KMS25-150B	6"	25	4	250	680	672	233	398	100	1150	150	1450	150	480	8-21
KMS30-150B	6"	30	4	250	680	672	233	398	100	1150	150	1450	150	520	8-21
KMS40-150B	6"	40	4	250	680	710	233	398	100	1180	160	1500	150	530	8-21
KMS30-200B	8"	30	4	310	730	672	385	430	115	1200	175	1550	160	550	8-23
KMS40-200B	8"	40	4	310	730	710	385	430	115	1240	180	1600	160	570	8-23
KMS50-200B	8"	50	4	310	730	800	385	430	115	1300	200	1700	160	570	8-23

*Our company retains the right of data variation, so please make necessary confirmation before purchase.



KMS Performance Curve Diagram



*Our company retains the right of data variation, so please make necessary confirmation before purchase.

DA CHUAN PUMP INDUSTRIAL CO., LTD.

<http://www.cnc-pump.com.tw>

TEL: (02) 2847-6261 FAX: (02) 2289-1677

E-mail: cncpump@yahoo.com.tw